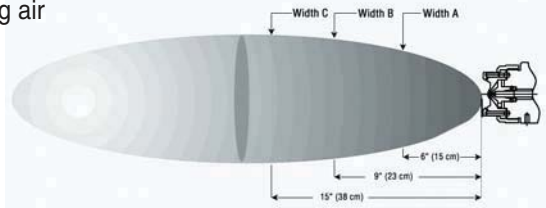


# SAM

## External Mix/Flat Fan or Narrow Round

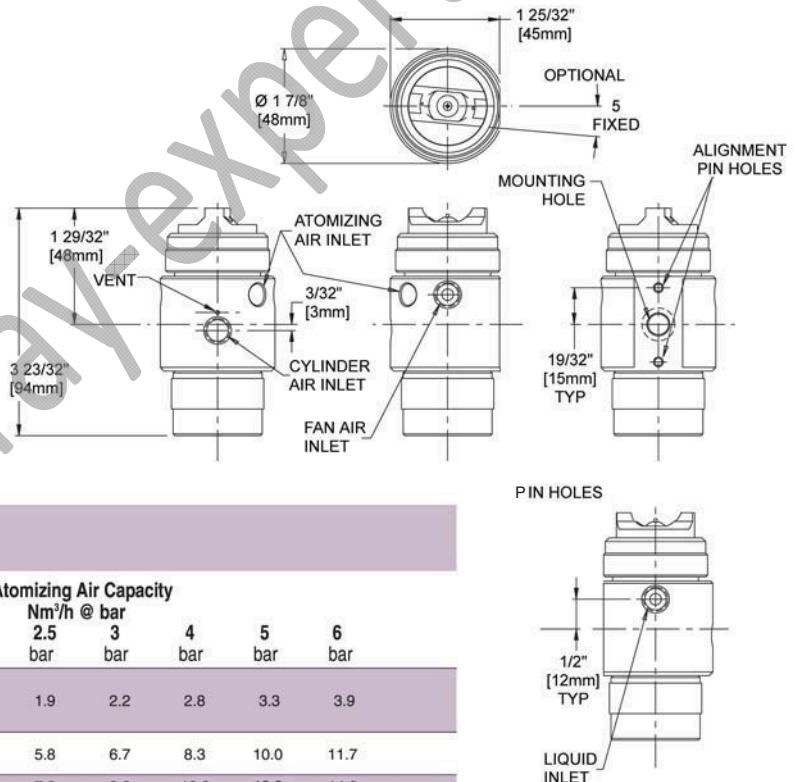
### DESIGN FEATURES

- Separate atomizing and fan air lines provide variable coverage and fine control of drop size without affecting liquid flow rates. Higher atomizing air pressure yields finer drop size; higher fan air pressure yields broader patterns.
- Pneumatically controlled shut-off and clean-out built in
- External mix; allows spraying of viscous materials
- Liquid flow rates are independent of air
- Precise metering of the liquid flow rate



### SAM Liquid Flow Rates

Pipe Size	Spray Set-Up No.	Fluid Cap and Air Cap No.	Liquid Capacity l/h @ bar					
			0.2 bar	0.3 bar	0.5 bar	0.7 bar	1 bar	1.5 bar
1/8"	SAM-01-02	FCS 01 & ACS 02	2.7	3.3	4.3	5.1	6.2	7.6
	SAM-02-02	FCS 02 & ACS 02	4.5	5.5	7.2	8.5	10.2	12.5
	SAM-03-02	FCS 03 & ACS 03	8.8	10.8	14.0	16.6	19.9	24
	SAM-04-03	FCS 04 & ACS 03	13.5	16.5	21	25	30	37
	SAM-05-03	FCS 05 & ACS 03	17.2	21	27	32	38	46
	SAM-06-04	FCS 06 & ACS 04	37	46	60	72	86	107
	SAM-07-05	FCS 07 & ACS 05	59	74	97	116	140	174



### SAM Air Flow Rates

Pipe Size	Spray Set-Up No.	Fluid Cap and Air Cap No.	Atomizing Air Capacity Nm <sup>3</sup> /h @ bar									
			0.7 bar	1 bar	1.5 bar	2 bar	2.5 bar	3 bar	4 bar	5 bar	6 bar	
1/8"	SAM-01-02	FCS 01 & ACS 02										
	SAM-02-02	FCS 02 & ACS 02	0.8	1.0	1.3	1.6	1.9	2.2	2.8	3.3	3.9	
	SAM-03-02	FCS 03 & ACS 02										
	SAM-04-03	FCS 04 & ACS 03	2.8	3.3	4.1	5.0	5.8	6.7	8.3	10.0	11.7	
	SAM-05-03	FCS 05 & ACS 03										
	SAM-06-04	FCS 06 & ACS 04	3.5	4.1	5.1	6.2	7.2	8.2	10.2	12.3	14.3	
	SAM-07-05	FCS 07 & ACS 05	4.5	5.3	6.7	8.0	9.3	10.6	13.3	15.9	18.5	

Pipe Size	Spray Set-Up No.	Fluid Cap and Air Cap No.	Fan Air Capacity Nm <sup>3</sup> /h @ bar								
			0.7 bar	1 bar	1.5 bar	2 bar	2.5 bar	3 bar	4 bar	5 bar	6 bar
1/8"	SAM-01-02	FCS 01 & ACS 02									
	SAM-02-02	FCS 02 & ACS 02	2.7	3.2	4.1	4.9	5.8	6.6	8.3	10.0	11.8
	SAM-03-02	FCS 03 & ACS 02									
	SAM-04-03	FCS 04 & ACS 03	5.0	6.1	7.8	9.6	11.3	13.1	16.6	20	24
	SAM-05-03	FCS 05 & ACS 03									
	SAM-06-04	FCS 06 & ACS 04	5.7	6.9	9.0	11.2	13.3	15.4	19.6	24	28
	SAM-07-05	FCS 07 & ACS 05	5.9	7.2	9.3	11.4	13.6	15.7	20.0	24	29

Standard Materials: 303 Stainless Steel, Blue-gard® gasket, Viton® o-rings

**Note:** Spray set-ups consist of fluid and air caps. Set-ups are interchangeable but each uses a different needle size.

**Air-Operated Clean-out/Shut-off.** Removal of air pressure to the cylinder causes a spring-loaded poppet valve actuator to shut off liquid flow and includes a clean-out needle.

Replacement air caps include replacement Blue-Gard® gaskets.

Spray angle performance varies with pressure. Contact BETE for specific data on critical applications.

