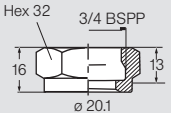


NOZZLES

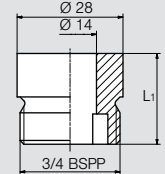
ACCESSORIES

Series 6F



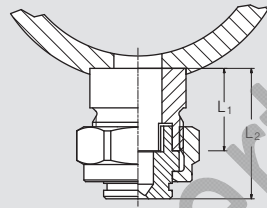
Weight brass 60 g

Retaining nut: **065.600.11** (AISI 430 F)
065.600.16 (303 SS)
065.600.17 (316 SS)
065.600.30 (brass)



Weight 82 g

Welding nipple: **06F.410.17.xx** (316 SS)
06F.411.17.xx (316 SS)



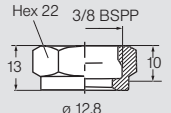
$L_2 = L_1 + 14 \text{ mm}$

Series 6F

Nipple length 20 - 99 mm in steps of 1 mm	
Basic type number	Length L ₁
06F.410.17	xx
xx = nipple length [mm]	
Example for nipple length 35 mm	
06F.410.17.	35

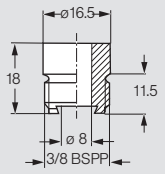
Nipple length 100 - 199 mm in steps of 1 mm	
Basic type number	Length L ₁
06F.411.17	xx
xx = nipple length [mm]	
Example for nipple length 35 mm	
06F.411.17.	35

Series 660



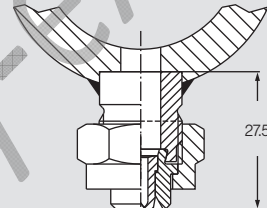
Weight 25 g

Retaining nut: **065.200.16** (303 SS)
065.200.17 (316 SS)
065.200.30 (brass)



Weight 21 g

Welding nipple: **066.011.17** (316 SS)



27.5

Other nipple lengths for all nozzle series on request.

Alignment tips

Series 6E: **06E.490.1Y**
 Series 6F: **06F.490.1Y**

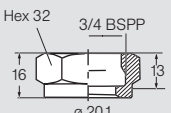
Series 660: **066.090.16**
 offset angle 5°

Series 664/665: **066.490.16**
 offset angle 15°

Series 669: **066.990.16**
 offset angle 15°

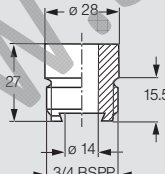
(other offset angles on request)

Series 664/665



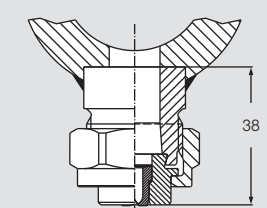
Weight brass 60 g

Retaining nut: **065.600.11** (AISI 430 F)
065.600.16 (303 SS)
065.600.17 (316 SS)
065.600.30 (brass)



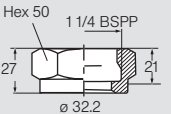
Weight 65 g

Welding nipple: **066.410.17** (316 SS)
066.410.03 (1.0570)



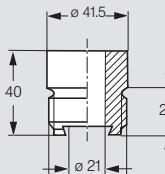
38

Series 669



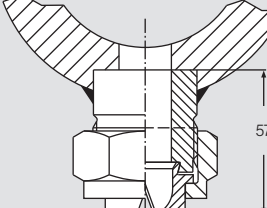
Weight brass 205 g

Retaining nut: **066.900.16** (303 SS)
066.900.17 (316 SS)
066.900.30 (Brass)



Weight 280 g

Welding nipple: **066.910.17** (316 SS)
066.910.02 (1.0159)



57