

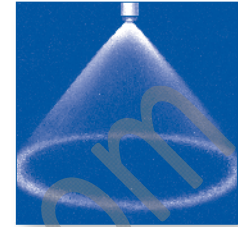
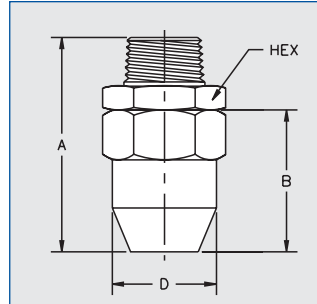


**Hollow cone nozzles**  
**Axial-low flow**  
**Series 214 / 216 / 218**

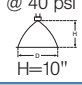
**Precision axial design offers fine atomization and uniform distribution. Swirl insert removable for cleaning.**

**Applications:**

- Gas cooling or cleaning
- Steam de-superheating
- Spray drying
- Dust suppression



Ordering no.	Thread Size Male NPT	Hex Size	Dimensions (in.)			Approx. Wt. (lb.) Brass
			A	B	D	
<b>214. xxx. YY. BA</b>	1/8	11/16	1.531	.718	.625	.15
<b>214. xxx. YY. BC</b>	1/4	11/16	1.593	.718	.625	.20
<b>216. xxx. YY. BC</b>	1/4	7/8	1.468	1.156	.843	.25
<b>216. xxx. YY. BE</b>	3/8	7/8	1.468	1.156	.843	.25
<b>218. xxx. YY. BG</b>	1/2	1-1/16	2.531	1.406	1.031	.30

Spray angle	Ordering no.				Orifice diam. (in.)	Free Passage (in.)	Flow Rate (Gallons Per Minute)								Spray Diam. D (in.) @ 40 psi 
	Type	Mat. no.		Connection			10 psi	20 psi	liters per minute	40 psi	60 psi	80 psi	100 psi		
		316 SS 17	Brass 30											1/8"	
60°	<b>214. 184</b>	○	○	<b>BA BC</b> - -	.020	.019	.01	.02	.08	.02	.03	.04	.04	8	
80°	<b>214. 245</b>	○	○	<b>BA BC</b> - -	.039	.019	.02	.04	.16	.05	.06	.07	.08	18	
	<b>214. 305</b>	○	○	<b>BA BC</b> - -	.071	.019	.05	.07	.32	.10	.12	.14	.16	18	
60°	<b>216. 324</b>	○	○	- <b>BC BE</b> -	.039	.039	.06	.09	.40	.12	.15	.18	.20	8	
	<b>216. 364</b>	○	○	- <b>BC BE</b> -	.055	.055	.10	.14	.63	.20	.24	.28	.31	8	
	<b>216. 404</b>	○	○	- <b>BC BE</b> -	.079	.078	.16	.22	1.0	.31	.38	.44	.49	8	
90°	<b>216. 496</b>	○	○	- <b>BC BE</b> -	.118	.078	.26	.37	1.7	.53	.65	.75	.83	20	
	<b>216. 566</b>	○	○	- <b>BC BE</b> -	.158	.078	.39	.55	2.5	.78	.95	1.1	1.2	20	
	<b>216. 646</b>	○	○	- <b>BC BE</b> -	.138	.078	.62	.88	4.0	1.2	1.5	1.8	2.0	20	
	<b>216. 686</b>	○	○	- <b>BC BE</b> -	.158	.078	.78	1.1	5.0	1.6	1.9	2.2	2.5	20	
	<b>216. 726</b>	○	○	- <b>BC BE</b> -	.197	.078	.98	1.4	6.3	2.0	2.4	2.8	3.1	20	
	<b>216. 776</b>	○	○	- <b>BC BE</b> -	.236	.078	1.3	1.9	8.5	2.6	3.2	3.7	4.2	20	
	<b>218. 646</b>	○	○	- - - <b>BG</b>	.197	.078	.62	.88	4.0	1.2	1.5	1.8	2.0	20	
	<b>218. 666</b>	○	○	- - - <b>BG</b>	.217	.078	.70	.99	4.5	1.4	1.7	2.0	2.2	20	
	<b>218. 706</b>	○	○	- - - <b>BG</b>	.256	.078	.87	1.2	5.6	1.7	2.1	2.5	2.8	20	
	<b>218. 766</b>	○	○	- - - <b>BG</b>	.197	.078	1.2	1.8	8.0	2.5	3.0	3.5	3.9	20	
	<b>218. 826</b>	○	○	- - - <b>BG</b>	.256	.078	1.7	2.5	11.2	3.5	4.3	4.9	5.5	20	
	<b>218. 846</b>	○	○	- - - <b>BG</b>	.296	.078	1.9	2.7	12.5	3.9	4.8	5.5	6.1	20	
<b>218. 886</b>	○	○	- - - <b>BG</b>	.355	.094	2.5	3.5	16.0	5.0	6.1	7.0	7.9	20		

<b>Example</b>	<b>Type</b>	<b>+</b>	<b>Material no.</b>	<b>+</b>	<b>Conn.</b>	<b>=</b>	<b>Ordering no.</b>
for ordering:	216. 496	+	17	+	BC	=	216. 496. 17. BC

**This product line is also available in larger capacities up to 5 gpm @ 40 psi. Please contact your local representative or Lechler if you require a larger size.**

Conversion formula for the above series:  $V_2 = V_1 \sqrt{\frac{P_2}{P_1}}$