



Rotating cleaning nozzle “MicroWhirly” Series 566

Series 566

The MicroWhirly, with effective flat fan nozzles, is licensed for contact with food. Thanks to the robust slide bearing made from PEEK, the MicroWhirly has a particularly long service life. The MicroWhirly is alternatively available with an internal or external thread and in an ATEX version, which allows it to be adapted to a wide range of uses.



To see video

Scan the QR-code
or go to:
www.lechlerusa.com



Materials
Stainless steel
AISI 316L, PEEK

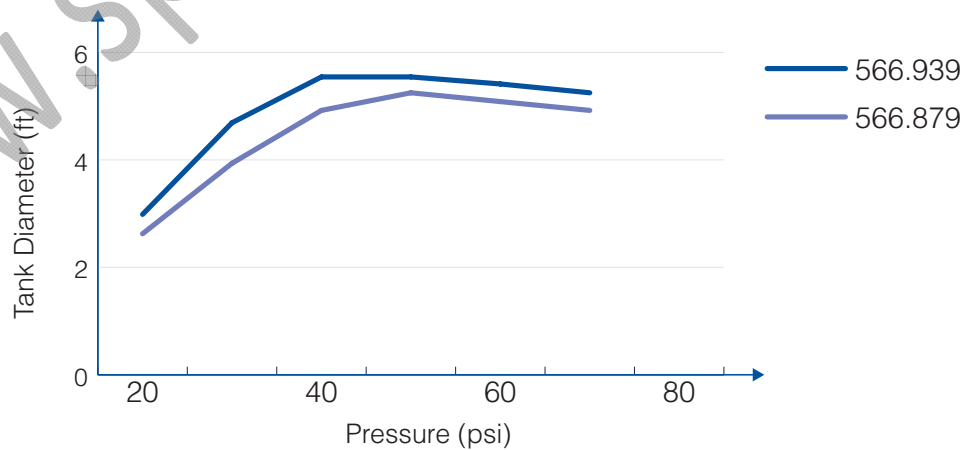
Max. temperature
266°F/ 130°C
194°F/ 90°C ATEX Version

Recommended operating pressure
40 psi

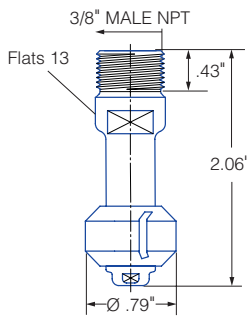
Installation
Operates in every direction

Filtration
Line strainer with a mesh size of
0.3 mm/50 mesh
0.2 mm/80 mesh
ATEX Version

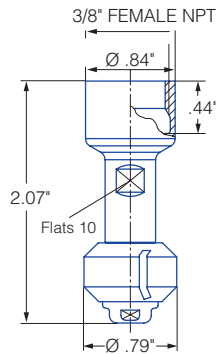
Bearing
Sleeve bearing
made of PEEK



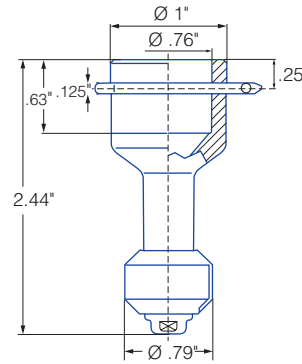
Overview of the tank diameter, depending upon the pressure of series 566



3/8" Male NPT



3/8" Female NPT



Slip-on connection
3/4" OD Slip-on

Spray angle 	Ordering no.				Free Passage (in.)	Flow Rate (Gallons Per Minute)				Max. tank diameter [ft]	
	Type	Connection				20 psi	liters per minute	2 bar	40 psi		60 psi
		3/8" Male NPT	3/8" Female NPT	3/4" OD Slip-on							
180° 	566. 873. 1Y	BE	BF	TF07	.094	3.3	15	4.7	5.7	5.2	
	566. 933. 1Y	BE	BF	TF07	.094	4.6	21	6.5	8.0	5.6	
180° 	566. 874. 1Y	BE	BF	TF07	.094	3.3	15	4.7	5.7	5.2	
	566. 934. 1Y	BE	BF	TF07	.094	4.6	21	6.5	8.0	5.6	
360° 	566. 879. 1Y	BE	BF	TF07	.094	3.3	15	4.7	5.7	5.2	
	566. 939. 1Y	BE	BF	TF07	.094	4.6	21	6.5	8.0	5.6	

The maximum tank diameter shown above applies for the recommended operating pressure and is indicative only. The cleaning result is also affected by the type of soiling.

Information on operation

- Operation with compressed air purge only for short-term usage. Operation above the recommended operating pressure means higher wear and smaller droplets. This might have adverse effects on the cleaning result.

Slip-on information

- R-clip made of stainless steel AISI 316L is included (Ordering no.: 095.022.1Y.50.94.E).
- Depending on diameter of the adapter the flow rate can increase due to leakage between the connection and rotating cleaning nozzle.

Example of ordering with ATEX approval. FDA and (EG) 1935/2004 conform.

Unit group / category / zones:
 II 1 GD c LLB T4 T 120 °C +5 °C ≤ Ta ≤ +90 °C

for zone 0, 1, 2 (gas atmosphere)
 for zone 20, 21, 22 (dust atmosphere)

Example of ordering:	Type	+ Connection	= Ordering no.
566.873.1Y.XX.EX		+ BE	= 566.873.1Y.BE.EX

Example of ordering with FDA and (EG) 1935/2004 conform.

All Materials are suitable for contact with food.

Example of ordering:	Type	+ Connection	= Ordering no.
566.873.1Y.XX		+ BE	= 566.873.1Y.BE