



Rotation Nozzles »MicroSpinner« / »MiniSpinner« Series 5MC / 5MI

Series 5MC / 5MI

- Excellent coverage
- Operation in every direction possible (double ball bearing)
- Cleaning at low pressure
- Driven and lubricated by the cleaning fluid
- The compact and hygienic design meets requirements for use in CIP systems
- All materials are FDA-conform

Applications:

For rinsing and cleaning of Vessels and Machines e.g. in Food industry, Pharmaceutical industry and Chemical industry

Temperature:

5 – 140°C

Operation pressure:

1.0 – 2.5 bar

Materials:

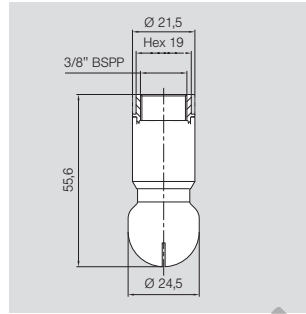
Corrosion-resistant Stainless steel AISI 316L

Bearing:

Double ball bearings made of corrosion-resistant stainless steel

All materials are food graded.

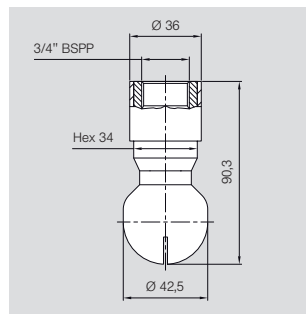
Rotation nozzle »MicroSpinner« Series 5MC



Max. tank diameter:
1.3 m

Spray-angle	Ordering number		Flow rate \dot{V} [l/min]				
	Type	Connection 3/8" BSPP*	Δp [bar]	Δp [bar]	Δp [bar]	Δp [bar]	Δp [bar]
			1.0	2.0	3.0	4.0	5.0
60°	5MC.042.1Y.AF	3/8"	28	40	49	57	63
180°	5MC.004.1Y.AF	3/8"	22	32	39	45	50
360°	5MC.049.1Y.AF	3/8"	28	39	48	55	62

Rotation nozzle »MiniSpinner« Series 5MI



Max. tank diameter:
3.0 m

Spray-angle	Ordering number		Flow rate \dot{V} [l/min]				
	Type	Connection 3/4" BSPP*	Δp [bar]	Δp [bar]	Δp [bar]	Δp [bar]	Δp [bar]
			1.0	2.0	3.0	4.0	5.0
60°	5MI.162.1Y.AH	1/2"	45	63	77	89	100
180°	5MI.114.1Y.AL	3/4"	46	67	81	95	106
360°	5MI.054.1Y.AL	3/4"	21	30	37	42	47
	5MI.074.1Y.AL	3/4"	37	49	61	70	78
	5.MI.017.1Y.AL	3/4"	47	69	85	89	110