



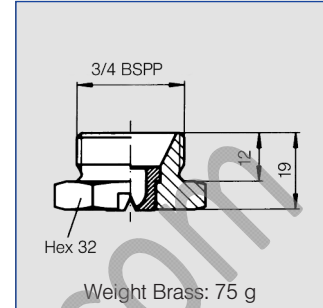
Flat fan nozzles

Series 616 / 617

Uniform, parabolic distribution of liquid. Increased non-clogging features, more jet power, less fog.

Applications:

Cleaning installations, rain curtains, gravel washing, spray pipes, foam spraying, roll cooling, cooling of rolled stock.



Spray angle	Ordering no.				A Ø [mm]	E Ø [mm]	v̇ [l/min]							Spray width B at p = 2 bar	
	Type	Material-no.					p [bar]							 H = 250 mm H = 500 mm	
		16	17 ¹⁾	30			0.5	1.0	2.0	3.0	5.0	10.0	[US gal/min] at 40 psi		
		AISI 303	AISI 316Ti/AISI 316L	Brass											
20°	616. 721	○	○	○	3.00	2.50	3.15	4.45	6.30	1.95	7.72	9.96	14.09	80	140
	616. 801	○	○	○	4.00	3.20	5.00	7.07	10.00	3.10	12.25	15.81	22.36	80	145
	616. 881	○	○	○	5.00	4.00	8.00	11.31	16.00	4.96	19.60	25.30	35.78	80	145
	616. 921	○	○	○	5.50	4.40	10.00	14.14	20.00	6.20	24.49	31.62	44.72	80	145
	616. 961	○	○	○	6.00	5.10	12.50	17.68	25.00	7.75	30.62	39.53	55.90	80	145
30°	616. 722	○	○	○	3.00	2.40	3.15	4.45	6.30	1.95	7.72	9.96	14.09	120	230
	616. 762	○	○	○	3.50	2.70	4.00	5.66	8.00	2.48	9.80	12.65	17.89	120	230
	616. 802	○	○	○	4.00	3.10	5.00	7.07	10.00	3.10	12.25	15.81	22.36	120	235
	616. 882	○	○	○	5.00	4.00	8.00	11.31	16.00	4.96	19.60	25.30	35.78	120	235
	616. 922	○	○	○	5.50	4.40	10.00	14.14	20.00	6.20	24.49	31.62	44.72	120	235
	616. 962	○	-	○	6.00	5.00	12.50	17.68	25.00	7.75	30.62	39.53	55.90	125	240
45°	616. 723	○	○	○	3.00	2.40	3.15	4.45	6.30	1.95	7.72	9.96	14.09	175	330
	616. 763	○	○	○	3.50	2.60	4.00	5.66	8.00	2.48	9.80	12.65	17.89	175	330
	616. 803	○	○	○	4.00	3.00	5.00	7.07	10.00	3.10	12.25	15.81	22.36	175	335
	616. 843	○	○	○	4.50	3.40	6.25	8.84	12.50	3.88	15.31	19.76	27.95	180	335
	616. 883	○	○	○	5.00	3.80	8.00	11.31	16.00	4.96	19.60	25.30	35.78	185	350
	616. 923	○	○	○	5.50	4.20	10.00	14.14	20.00	6.20	24.49	31.62	44.72	190	360
	616. 963	○	○	○	6.00	4.40	12.50	17.68	25.00	7.75	30.62	39.53	55.90	200	375
60°	616. 724	○	○	○	3.00	2.10	3.15	4.45	6.30	1.95	7.72	9.96	14.09	295	575
	616. 764	○	○	○	3.50	2.30	4.00	5.66	8.00	2.48	9.80	12.65	17.89	300	580
	616. 804	○	○	○	4.00	2.60	5.00	7.07	10.00	3.10	12.25	15.81	22.36	300	580
	616. 844	○	○	○	4.50	3.00	6.25	8.84	12.50	3.88	15.31	19.76	27.95	300	580
	616. 884	○	○	○	5.00	3.40	8.00	11.31	16.00	4.96	19.60	25.30	35.78	300	580
	616. 924	○	○	○	5.50	4.10	10.00	14.14	20.00	6.20	24.49	31.62	44.72	300	580
	616. 964	○	○	○	6.00	4.20	12.50	17.68	25.00	7.75	30.62	39.53	55.90	300	580
	617. 044	○	-	○	8.00	5.50	20.00	28.28	40.00	12.41	48.99	63.25	89.44	300	580
	617. 124	-	-	○	10.00	7.40	31.50	44.55	63.00	19.54	77.16	99.61	140.87	300	580
90°	616. 726	○	○	○	3.00	1.70	3.15	4.45	6.30	1.95	7.72	9.96	14.09	540	1000
	616. 766	○	○	○	3.50	1.90	4.00	5.66	8.00	2.48	9.80	12.65	17.89	550	1010
	616. 806	○	○	○	4.00	2.40	5.00	7.07	10.00	3.10	12.25	15.81	22.36	550	1010
	616. 846	○	○	○	4.50	2.40	6.25	8.84	12.50	3.88	15.31	19.76	27.95	550	1020
	616. 886	○	○	○	5.00	3.10	8.00	11.31	16.00	4.96	19.60	25.30	35.78	550	1020
	616. 926	○	○	○	5.50	3.60	10.00	14.14	20.00	6.20	24.49	31.62	44.72	555	1025
	616. 966	○	○	○	6.00	3.90	12.50	17.68	25.00	7.75	30.62	39.53	55.90	560	1030

¹⁾ We reserve the right to deliver AISI 316Ti or AISI 316L under the material no. 17.
A = Equivalent bore diameter · E = narrowest free cross section
Subject to technical modifications.

Continued on next page.

Conversion formula for the above series: $\dot{V}_2 = \dot{V}_1 \cdot \sqrt{\frac{p_2}{p_1}}$



Flat fan nozzles

Series 616 / 617

★ Spray angle	Ordering no.			A ∅ [mm]	E ∅ [mm]	V̇ [l/min]										Spray width B at p = 2 bar							
	Type	Material-no.				p [bar]																	
		16	17 ¹⁾			30	0.5			1.0			2.0					3.0			5.0		
	AISI 303	AISI 316Ti/AISI 316L	Brass			[US gal/min] at 40 psi												H = 250 mm			H = 500 mm		
120°	616. 727	○	○	○	3.00	1.60	3.15	4.45	6.30	1.95	7.72	9.96	14.09	975	1755								
	616. 767	○	○	○	3.50	1.70	4.00	5.66	8.00	2.48	9.80	12.65	17.89	970	1750								
	616. 807	○	○	○	4.00	2.00	5.00	7.07	10.00	3.10	12.25	15.81	22.36	965	1740								
	616. 887	○	○	○	5.00	2.60	8.00	11.31	16.00	4.96	19.60	25.30	35.78	955	1730								
	616. 927	○	○	○	5.50	2.90	10.00	14.14	20.00	6.20	24.49	31.62	44.72	950	1720								
	616. 967	-	-	○	6.00	3.20	12.50	17.68	25.00	7.75	30.62	39.53	55.90	950	1720								
	617. 047	-	-	○	8.00	4.40	20.00	28.28	40.00	12.41	48.99	63.25	89.44	950	1720								

¹⁾ We reserve the right to deliver AISI 316Ti or AISI 316L under the material no. 17.
 A = Equivalent bore diameter · E = narrowest free cross section
 Subject to technical modifications.

The folded page at the end of the catalogue will give you a survey on the various assembly possibilities.
 For complete assembly accessories, please refer to »Accessories«.

Example	Type	+	Material-no.	=	Ordering no.
for ordering:	616. 727	+	16	=	616. 727. 16

Conversion formula for the above series: $\dot{V}_2 = \dot{V}_1 \cdot \sqrt{\frac{p_2}{p_1}}$