



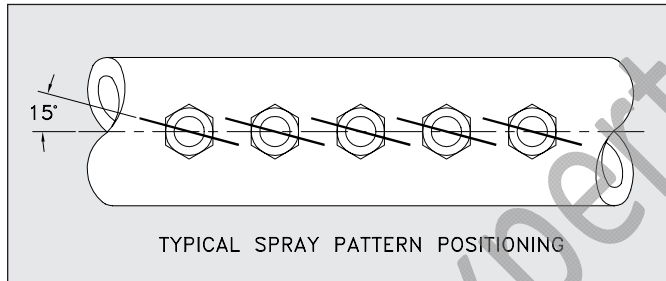
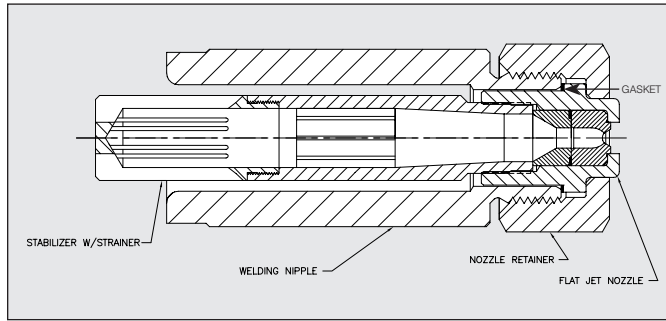
## MiniSCALEMASTER® descaling nozzles

### Series 644

When improved casting processes demanded a new descaling approach, Lechler answered with the MiniSCALEMASTER®. This nozzle platform provides efficient, effective descaling, even on difficult materials.

The MiniSCALEMASTER® packs the power of the standard design into a very compact package. This permits nozzle spacing of less than 2" with standoff distances as low as 3" from the surface. The result is an exceptionally clean strip with very low water consumption and minimal cooling of the product.

While impact characteristics are identical to the standard SCALEMASTER®, the smaller bases and caps allow for smaller headers that can fit into tighter installations with no sacrifice of performance. The complete range of capacities is available, using the same orifice geometry of the larger models.



Product Codes for Ordering			Material Code	Minimum Free Passage (in.)	Flow Rate (Gallons Per Minute)								
Spray angle					700 psi	1000 psi	1500 bar	litres per minute 120 bar	2000 psi	2500 psi	3000 psi	3500 psi	
26°	30°	40°	Hardened Stainless Steel 11	Tungsten Carbide Inserts 27									
644. 496	644. 497	644. 498	○	○	.042	2.2	2.6	3.2	13.2	3.7	4.2	4.6	5.0
644. 536	644. 537	644. 538	○	○	.043	2.8	3.3	4.0	16.4	4.7	5.2	5.7	6.2
644. 566	644. 567	644. 568	○	○	.047	3.3	3.9	4.8	19.7	5.6	6.2	6.8	7.4
644. 606	644. 607	644. 608	○	○	.059	4.2	5.1	6.2	25.3	7.1	8.0	8.8	9.4
644. 646	644. 647	644. 648	○	○	.063	5.1	6.1	7.5	30.7	8.7	9.7	10.6	11.5
644. 686	644. 687	644. 688	○	○	.071	6.6	7.9	9.7	39.4	11.2	12.5	13.7	14.8
644. 726	644. 727	644. 728	○	○	.075	8.3	9.9	12.1	49.3	14.0	15.6	17.1	18.5
644. 766	644. 767	644. 768	○	○	.091	10.6	12.7	15.6	63.5	18.0	20.1	22.0	23.8
644. 806	644. 807	644. 808	○	○	.106	13.2	15.8	19.3	78.8	22.3	24.9	27.3	29.5
644. 846	644. 847	644. 848	○	○	.118	16.3	19.5	23.9	97.5	27.6	30.9	33.8	36.5
644. 886	644. 887	644. 888	○	○	.134	20.6	24.6	30.1	122.0	34.7	38.8	42.6	46.0
644. 906	644. 907	644. 908	○	○	.145	22.9	27.4	33.6	136.0	38.8	43.3	47.5	51.3
644. 916	644. 917	644. 918	○	○	.149	24.6	29.4	36.0	146.0	41.6	46.5	50.9	55.0

MiniSCALEMASTER® bases, caps and accessories	
Part No.	Description
<b>Bases</b>	
060. 020. 1C. 00	Weld Base, 39 mm long
060. 020. 1C. 02	Weld Base, 80 mm long
099. 043. 1C. 00	Threaded, 3/4" NPT male
099. 045. 1C. 00	Threaded, 1" NPT male
<b>Stabilizers</b>	
064. 431. 16. 00	Without Strainer, 74 mm long
064. 454. 16. 00	With Strainer, 110 mm long
064. 455. 16. 00	With Strainer, 130 mm long
<b>Gasket</b>	
095. 015. 34. 02. 07	Copper Tip Gasket
<b>Cap</b>	
064. 400. 3S. 00	Standard Tip Retainer Cap
064. 401. 11. 00	Internal Hex Cap for Tight Clearance
<b>Mounting &amp; Assembly Accessories – Call for datasheets!</b>	
064. 490. 01. 00	Alignment Tip, Right Hand
064. 490. 01. 01	Alignment Tip, Left Hand
064. 490. 01. 02	Alignment Tip, Center
095. 009. 00. 12. 70	Disassembly Tool & Tip Extractor Assembly
095. 009. 00. 12. 56	Replacement Tip Extractor Slide Hammer
064. 491. 01. 00	Replacement Disassembly Tool

