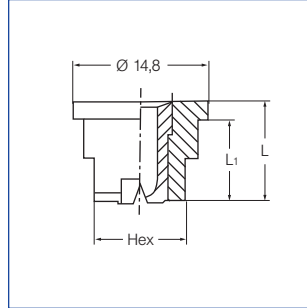




Flat fan nozzles for belt lubrication

Series 652. xxx. 8H. 03

Especially low flow rates.
Parabolic liquid distribution
Applications:
Belt lubrication, moistening,
spraying of food products,
moisturization of rollers,
oiling, lubrication of metal
sheets.



Operating pressure range:
1 to 5 bar

Recommended operating pressure:
3 bar

Viscosity:
The nozzles can be operated with viscous media, e. g. transmission fluid (max. approx. 200 mPas). However the spray angle decreases.

Return valve with gauze filter:

- Prevents dripping and saves medium
- Size of filter mesh: 0,08 mm (200 mesh)
- **095.016.53.11.00**
Opening pressure: approx. 0,5 bar
Closing pressure: approx. 0,3 bar
- **095.016.53.14.63**
Opening pressure: approx. 2,8 bar
Closing pressure:

Spray angle	Ordering no.		Colour	E Ø [mm]	V̇ [l/min]				
	Type	Mat.-no.			p [bar]				
					16	8H.03*	1.0	2.0	3.0
		AISI 303	POM/AISI 303						
75°	652. 145	○	○	green	0.30	0.04**	0.05	0.06	0.08
	652. 165	○	○	black	0.34	0.05**	0.07	0.08	0.10
	652. 185	○	○	red	0.20	0.06**	0.08	0.10	0.13
	652. 215	○	○	blue	0.20	0.08**	0.11	0.14	0.18
	652. 245	○	○	orange	0.30	0.12**	0.16	0.20	0.26
	652.275	○	○	brown	0.30	0.16**	0.22	0.27	0.35
120°	652. 187	○	○	grey	0.20	0.06**	0.08	0.10	0.13
	652. 247	○	○	black	0.20	0.12**	0.16	0.20	0.26
	652. 277	○	○	black	0.30	0.16**	0.22	0.27	0.35

E = narrowest free cross section

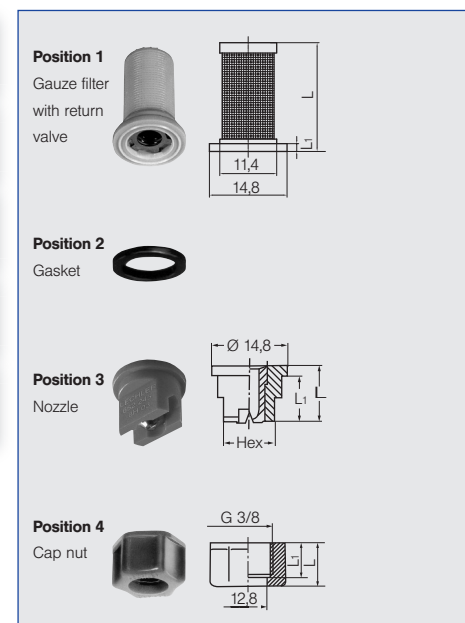
* Housing POM, nozzle insert AISI 303

** Differing spray pattern. Subject to technical modifications.

Pos.	Name	Ordering no.	Material	Dimensions [mm]			** [mm]
				L	L1	SW	
1	Gauze filter with return valve	095.016.53.11.00	PP	21	1.5	-	0.08
		095.016.53.14.63	PP	21	1.5	-	0.08
2	Gasket	065.240.55	PTFE	-	-	-	-
		065.240.72	EWP 210	-	-	-	-
3	Nozzle	Ordering no. see flow tables	AISI 303	11	9	10	-
			POM/AISI 303*	12	10	8	-
4	Cap nut	065.200.16	AISI 303	13	10	22	-
		065.200.56	POM	14.5	11.5	22	-

* Housing POM, Nozzle insert AISI 303

** Size of mesh



Conversion formula for the above series: $\dot{V}_2 = \dot{V}_1 \cdot \sqrt{\frac{p_2}{p_1}}$