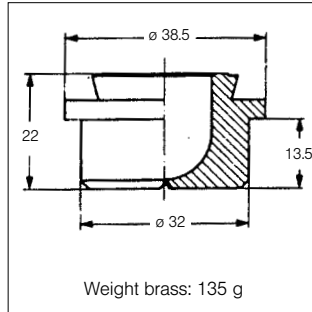




Flat Fan Dovetail Nozzles Series 669



Spray width [B] at p=3 bar

	H 250 mm	H 500 mm
669.041-669.281	115	210
669.042 - 669.282	160	310
669.043 - 669.283	250	490
669.044 - 669.284	340	640



Ordering no.				Mat. no.		E ø [mm]	V̇ [l/min]							
Type				16	30		p [bar]				40* psi			
↘ 20°	↘ 30°	↘ 45°	↘ 60°	303 SS	Brass	0.5	1.0	2.0	40*	3.0	5.0	7.0	10.0	
669.041	669.042	669.043	669.044	○	○	5.5-6.5	20.00	28.28	40.00	12.41	48.99	63.25	74.83	89.44
669.121	669.122	669.123	669.124	○	○	7.3-8.3	31.50	44.55	63.00	15.50	77.16	99.61	117.86	140.87
669.201	669.202	669.203	669.204	○	○	9.5-10.6	50.00	71.00	100.00	31.00	122.00	158.00	187.00	224.00
669.281	669.282	669.283	669.284	○	○	9.4-13	80.00	113.00	160.00	49.60	196.00	253.00	299.00	358.00

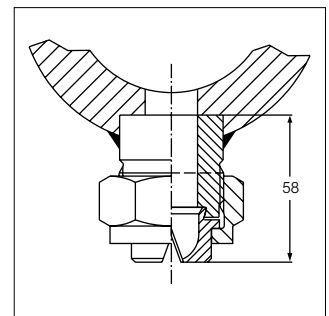
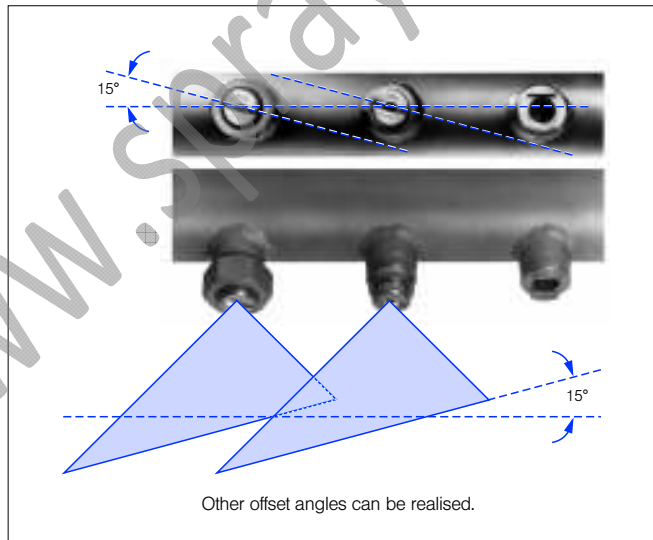
E = Narrowest free cross section. * US gal/min.

Subject to technical modifications.

Accessories

Nipple. **066.910.17** (1.4571)
066.410.02 (Steel)

Retaining nut. **065.900.16** (1.4305)
065.900.17 (1.4571)
065.900.30 (Brass)



Conversion formula for the above series:

$$\dot{V}_2 = \dot{V}_1 * \sqrt{\frac{P_2}{P_1}}$$

Special Products – Series 672 with

Socket Alignment System
 The Socket Alignment System has already been used for SCALEMASTER® high pressure descaling nozzles. Now this proven approach is available on low pressure flat fan nozzles, series 672. Please ask for more information.

