



## SCALEMASTER® HP descaling nozzles

### Series 682

While the standard SCALEMASTER® can handle the majority of applications, there are some situations where an even more powerful approach is required to gain the next level of effectiveness. The SCALEMASTER® HP is a more sophisticated design that can handle the most difficult and demanding descaling situations.

SCALEMASTER® HP assemblies use specifically optimized components that create our highest impact for the best possible surface quality.

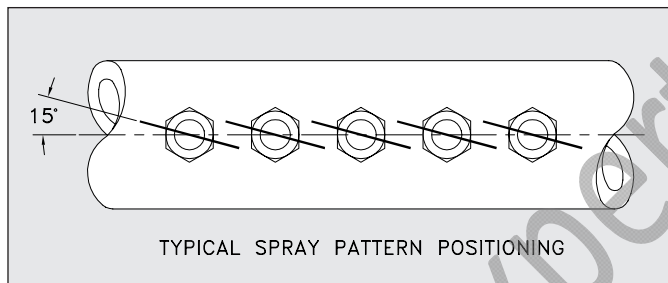
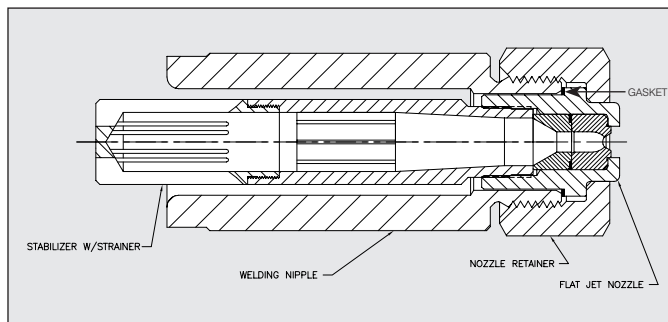
- Larger internal flow zones minimize turbulence
- Improved orifice geometry
- Internal components reduce flow resistance
- Unparalleled impact uniformity

All these combine to form razor sharp scale cutting sprays for even the most difficult alloys and shapes.

If you are already using SCALEMASTER® nozzles, HP tip assemblies follow the same assembly scheme and fit into the same bases so there are no header modifications necessary to use the more sophisticated technology.

Special HP strainer/stabilizers are required, and may be longer than their standard SCALEMASTER® equivalents. So, if the internal clearance in the header is limited, you may have to check this carefully.

Alternate versions of this tip are available. Please contact your Lechler representative to discuss your needs.



Product Codes for Ordering			Material Code Tungsten Carbide Inserts	Minimum Free Passage (in.)	Flow Rate (Gallons Per Minute)							
Spray angle					700 psi	1000 psi	1500 bar	litres per minute 120 bar	2000 psi	2500 psi	3000 psi	3500 psi
26°	30°	40°	27									
682. 496	682. 497	682. 498	○	.042	2.2	2.6	3.2	13.2	3.7	4.2	4.6	5.0
682. 536	682. 537	682. 538	○	.043	2.8	3.3	4.0	16.4	4.7	5.2	5.7	6.2
682. 566	682. 567	682. 568	○	.047	3.3	3.9	4.8	19.7	5.6	6.2	6.8	7.4
682. 606	682. 607	682. 608	○	.059	4.2	5.1	6.2	25.3	7.1	8.0	8.8	9.4
682. 646	682. 647	682. 648	○	.063	5.1	6.1	7.5	30.7	8.7	9.7	10.6	11.5
682. 686	682. 687	682. 688	○	.071	6.6	7.9	9.7	39.4	11.2	12.5	13.7	14.8
682. 726	682. 727	682. 728	○	.075	8.3	9.9	12.1	49.3	14.0	15.6	17.1	18.5
682. 766	682. 767	682. 768	○	.091	10.6	12.7	15.6	63.5	18.0	20.1	22.0	23.8
682. 806	682. 807	682. 808	○	.106	13.2	15.8	19.3	78.8	22.3	24.9	27.3	29.5
682. 846	682. 847	682. 848	○	.118	16.3	19.5	23.9	97.5	27.6	30.9	33.8	36.5
682. 886	682. 887	682. 888	○	.134	20.6	24.6	30.1	122.0	34.7	38.8	42.6	46.0
682. 906	682. 907	682. 908	○	.145	22.9	27.4	33.6	136.0	38.8	43.3	47.5	51.3
682. 916	682. 917	682. 918	○	.149	24.6	29.4	36.0	146.0	41.6	46.5	50.9	55.0

SCALEMASTER® HP bases, caps and accessories	
Part No.	Description
<b>Bases</b>	
069. 411. 1C. 00	Weld Base, 120 mm long
069. 410. 1C. 00	Weld Base, 100 mm long
069. 410. 1C. 73	Weld Base, 73 mm long
060. 008. 1C. 00	Threaded, 1" NPT male
<b>Stabilizers</b>	
064. 231. 16. 00	Without Strainer, 74 mm long
064. 233. 16. 00	Without Strainer, 94 mm long
064. 250. 16. 00	With Strainer, 110 mm long
064. 252. 16. 00	With Strainer, 130 mm long
064. 253. 16. 00	With Strainer, 150 mm long
<b>Gasket</b>	
095. 015. 34. 04. 02	Copper Tip Gasket
<b>Cap</b>	
069. 400. 1A. 00	Standard Tip Retainer Cap
<b>Mounting &amp; Assembly Accessories – Call for datasheets!</b>	
069. 490. 01. 00	Alignment Tip, Right Hand
069. 490. 01. 01	Alignment Tip, Left Hand
069. 490. 01. 02	Alignment Tip, Center
095. 009. 00. 12. 71	Disassembly Tool & Tip Extractor Assembly
095. 009. 00. 12. 56	Replacement Tip Extractor Slide Hammer
069. 491. 01. 00	Replacement Disassembly Tool

