

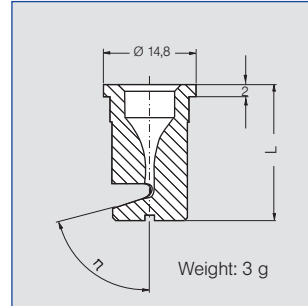


Tongue-type nozzles for retaining nut Series 684

**Assembly with retaining nut.
Wide flat fan with a sharply
delimited spray pattern.
Particularly clog-proof. Easy
nozzle changing, simple jet
alignment.**

Applications:

Foam control in storage tanks
and sewage treatment plants.
Cleaning and washing process,
requiring powerful and concen-
trated water jets.



Spray angle	η	Ordering no.		Colour**	B \emptyset [mm]	\dot{V} [l/min]			L [mm]	Spray width B at p = 2 bar H = 250 mm	
		Type	Mat- no.			p [bar]					
			56			5E	1.0	2.0			5.0
140°	75°	684. 348	○	-	green	0.7	0.35*	0.50	0.79	20	1360
	75°	684. 368	○	○	yellow	0.8	0.45*	0.63	1.00	20	1360
	75°	684. 408	○	-	blue	1.0	0.71	1.00	1.58	20	1370
	75°	684. 448	○	-	red	1.2	0.88	1.25	1.98	20	1370
	75°	684. 488	○	○	brown	1.3	1.13	1.60	2.53	20	1370
	75°	684. 528	○	-	grey	1.5	1.41	2.00	3.16	20	1370
	75°	684. 568	○	○	white	1.7	1.77	2.50	3.95	19	1370
	75°	684. 608	○	-	light blue	1.9	2.23	3.15	4.98	19	1370
	75°	684. 688	○	-	green	2.4	3.54	5.00	7.91	17	1370
	75°	684. 728	○	○	black	2.7	4.45	6.30	9.96	17	1370
	75°	684. 808	○	-	purple	3.4	7.07	10.00	15.81	16	1370

B = Bore diameter

* Differing spray pattern.

** Material PVDF generally blue

Example	Type	+	Material-no.	=	Ordering no.
for ordering:	684. 348	+	56	=	684. 348. 56

The folded page at the end of the catalogue will give you a survey on the various assembly possibilities.

For complete assembly accessories, please refer to »Accessories«.



Conversion formula for the above series: $\dot{V}_2 = \dot{V}_1 * \sqrt{\frac{p_2}{p_1}}$