



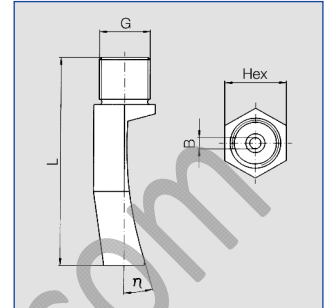
## Tongue-type nozzles

### Series 688 / 689

**Hard, sharp flat fan, narrowly delimited jet pattern. Not prone to clogging.**

Applications:

Cleaning, washing, degreasing and phosphating, preparation techniques.



Spray angle	$\eta$	Ordering no.				B $\emptyset$ [mm]	$\dot{V}$ [l/min]				Dimensions		Weight	Spray width B at p=2 bar		
		Type	Mat.-no.		Code G		p [bar]				L [mm]	SW [mm]		H		
			16	5E				0.5	1.0	2.0				5.0	250 mm	500 mm
			AISI 303	PVDF	3/8 BSPT	3/4 BSPP										
45°	35°	688. 763	○	-	CE	-	3.0	4.00	5.66	8.00	12.65	43	19	114 g	220	440
	30°	688. 843	○	-	CE	-	3.8	6.25	8.84	12.50	19.76	50	19	133 g	220	440
	29°	688. 923	○	-	CE	-	4.8	10.00	14.14	20.00	31.62	59	22	247 g	220	440
	35°	689. 003	○	○	-	90	6.0	15.75	22.27	31.50	49.81	80/80	32/24	306/33	250	490

B = Bore diameter

The folded page at the end of the catalogue will give you a survey on the various assembly possibilities.

For complete assembly accessories, please refer to »Accessories«.

<b>Example for ordering:</b>	Type	+ Material-no.	+ Code	= Ordering no.
	688. 763	+ 16	+ CE	= 688. 763.16. CE



Phosphating line

Conversion formula for the above series:  $\dot{V}_2 = \dot{V}_1 * \sqrt{\frac{p_2}{p_1}}$