



SCALEMASTER® descaling nozzles

Series 694

The original member of what is now a large family of nozzle designs, the SCALEMASTER® was a major advance in descaling technology. It incorporated a long list of features to provide the fine surface finish demanded by mill operators for hot rolled product.

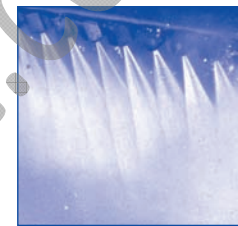
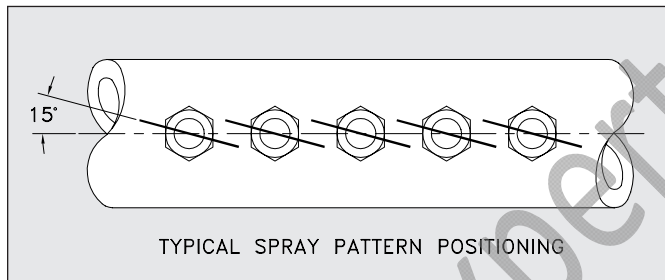
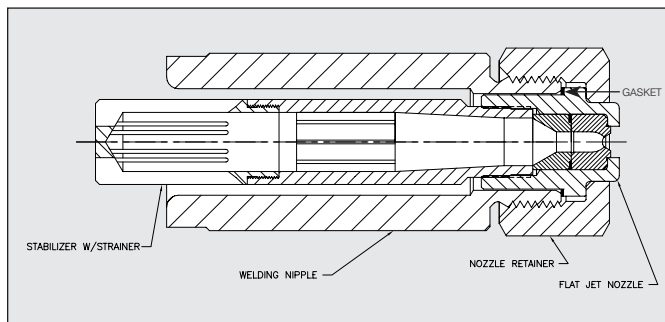
When tight nozzle spacing is not the primary issue, the original SCALEMASTER® design delivers excellent scale removal combined with long service life and very solid construction. The tip assemblies are self-aligning in the bases using internal flats. Once the bases are mounted on the header, the sprays will always have the optimum overlap.

A complete unit consists of the following components:

- Nozzle tip
- Retainer cap
- Strainer/stabilizer
- Gasket
- Nozzle base

The base is normally a permanent part of the header. All the components in the family work with any of the nozzle tips, so no specific tip or strainer is required. The gasket should be replaced when installing a new tip. (A new gasket is included with each tip.) Strainers can normally be reused once, but should be inspected for wear or damage.

Consult with your Lechler representative for assistance in designing the optimum configuration of nozzle angle, capacity, spacing and spray distance for your strip, plate or any hot rolling application.



Product Codes for Ordering			Material Code		Minimum Free Passage (in.)	Flow Rate (Gallons Per Minute)							
Spray angle			Hardened Stainless Steel 11	Tungsten Carbide Inserts 27		700 psi	1000 psi	1500 bar	litres per minute 120 bar	2000 psi	2500 psi	3000 psi	3500 psi
26°	30°	40°											
694. 496	694. 497	694. 498	○	○	.042	2.2	2.6	3.2	13.2	3.7	4.2	4.6	5.0
694. 536	694. 537	694. 538	○	○	.043	2.8	3.3	4.0	16.4	4.7	5.2	5.7	6.2
694. 566	694. 567	694. 568	○	○	.047	3.3	3.9	4.8	19.7	5.6	6.2	6.8	7.4
694. 606	694. 607	694. 608	○	○	.059	4.2	5.1	6.2	25.3	7.1	8.0	8.8	9.4
694. 646	694. 647	694. 648	○	○	.063	5.1	6.1	7.5	30.7	8.7	9.7	10.6	11.5
694. 686	694. 687	694. 688	○	○	.071	6.6	7.9	9.7	39.4	11.2	12.5	13.7	14.8
694. 726	694. 727	694. 728	○	○	.075	8.3	9.9	12.1	49.3	14.0	15.6	17.1	18.5
694. 766	694. 767	694. 768	○	○	.091	10.6	12.7	15.6	63.5	18.0	20.1	22.0	23.8
694. 806	694. 807	694. 808	○	○	.106	13.2	15.8	19.3	78.8	22.3	24.9	27.3	29.5
694. 846	694. 847	694. 848	○	○	.118	16.3	19.5	23.9	97.5	27.6	30.9	33.8	36.5
694. 886	694. 887	694. 888	○	○	.134	20.6	24.6	30.1	122.0	34.7	38.8	42.6	46.0
694. 906	694. 907	694. 908	○	○	.145	22.9	27.4	33.6	136.0	38.8	43.3	47.5	51.3
694. 916	694. 917	694. 918	○	○	.149	24.6	29.4	36.0	146.0	41.6	46.5	50.9	55.0

SCALEMASTER® bases, caps and accessories	
Part No.	Description
Bases	
069. 411. 1C. 00	Weld Base, 120 mm long
069. 410. 1C. 00	Weld Base, 100 mm long
069. 410. 1C. 73	Weld Base, 73 mm long
060. 008. 1C. 00	Threaded, 1" NPT male
Stabilizers	
069. 431. 16. 00	Without Strainer, 74 mm long
069. 454. 16. 00	With Strainer, 110 mm long
069. 455. 16. 00	With Strainer, 130 mm long
Gasket	
095. 015. 34. 04. 02	Copper Tip Gasket
Cap	
069. 400. 1A. 00	Standard Tip Retainer Cap
Mounting & Assembly Accessories – Call for datasheets!	
069. 490. 01. 00	Alignment Tip, Right Hand
069. 490. 01. 01	Alignment Tip, Left Hand
069. 490. 01. 02	Alignment Tip, Center
095. 009. 00. 12. 71	Disassembly Tool & Tip Extractor Assembly
095. 009. 00. 12. 56	Replacement Tip Extractor Slide Hammer
069. 491. 01. 00	Replacement Disassembly Tool

