

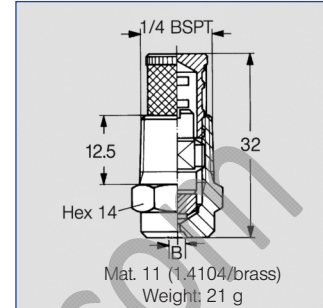
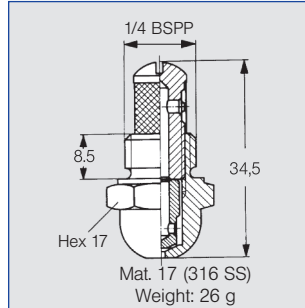


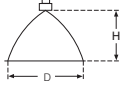
## Axial-flow hollow cone nozzles

### Series 212

#### Extremely fine, fog-like hollow cone spray.

Applications:  
 Disinfection, humidification of air, spraying over germinating boxes, product humidification, humidification of textiles, spraying of oil, absorption.



Spray angle	Ordering no.				B Ø [mm]	E Ø [mm]	$\dot{V}$ [l/min]						Spray diameter D at p=7 bar  H = 100 mm	
	Type	Mat. no.		Code			p [bar]							
		11 AISI 430F/Brass	17 AISI 316Ti					2.0	3.0	5.0	7.0	10.0		20.0
60°	212. 004	-	○	AC	-	0.10	0.10	-	0.013	0.015	0.018	0.025	80	
	212. 014	-	○	AC	-	0.15	0.15	-	0.019	0.023	0.027	0.039	80	
	212. 054	-	○	AC	-	0.20	0.15	-	0.027	0.033	0.039	0.057	80	
80°	212. 085	○*	○**	-	CC	0.25	0.25	-	0.040	0.047	0.057	0.080	140	
	212. 125	○*	○**	AC	CC	0.35	0.25	-	0.048	0.062	0.073	0.088	140	
	212. 145	○	-	-	CC	0.40	0.30	-	0.063	0.082	0.097	0.116	140	
	212. 165	○	-	-	CC	0.45	0.30	-	0.080	0.103	0.122	0.146	140	
	212. 185	○	-	-	CC	0.50	0.35	-	0.101	0.130	0.154	0.184	140	
	212. 205	○	-	-	CC	0.60	0.35	0.107	0.131	0.168	0.199	0.238	140	
	212. 245	○	-	-	CC	0.70	0.45	0.166	0.202	0.261	0.310	0.370	140	
	212. 285	○*	○**	AC	CC	0.90	0.60	0.262	0.320	0.390	0.460	0.550	140	

B = bore diameter · E = narrowest free cross section  
 \*Only available with code CC  
 \*\*Only available with code AC

The integrated strainer avoids clogging of the nozzle and increases its service life.

Example for ordering: Type 212. 004 + Material-No. 17 + Code AC = Ordering no. 212. 004. 17. AC

Materials			
Material no.	Nozzle	Strainer holder	Strainer
11	AISI 430F	Messing	Monel
17	AISI 316Ti	AISI 316Ti	AISI 316Ti

The folded page at the end of the catalogue will give you a survey on the various assembly possibilities. For complete assembly accessories, please refer to »Accessories«.

Conversion formula for the above series:  $\dot{V}_2 = \dot{V}_1 * \sqrt{\frac{p_2}{p_1}}$