

HOLLOW CONE NOZZLES

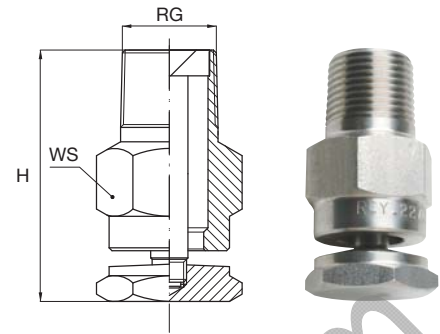
RC

IN LINE SPRAY

RC type nozzles produce a hollow cone spray pattern in line with the nozzle inlet connection.

The spray pattern is produced by the water flow deflecting on a fixed plate in front of the nozzle orifice. This produces small droplets and very wide spray angles.

Materials B1 AISI 303 Stainless steel
 T1 Brass



Spray Angle	1/4"	3/8"	Code	Capacity at different pressure values								Dimensions mm	
				0.5	0.7	1.0	2.0	3.0	5.0	7.0	10	H	WS
150°	•		RCY 1780 xx		4.50	6.37	7.80	10.1	11.9	14.2	33	17	
			RCY 2117 xx	5.70	6.81	9.63	11.8	15.2	18.0	21.5			
			RCY 2157 xx	7.58	9.06	12.8	15.7	20.3	24.0	28.7			
			RCY 2196 xx	9.42	11.3	15.9	19.5	25.2	29.8	35.6			
	•	•	RCY 2230 xx	9.39	11.1	13.3	18.8	23.0	29.7	35.1	42.0	44	22
			RCY 2270 xx	11.0	13.0	15.6	22.0	27.0	34.9	41.2	49.3		
			RCY 2310 xx	12.7	15.0	17.9	25.3	31.0	40.0	47.4	56.6		
			RCY 2350 xx	14.3	16.9	20.2	28.6	35.0	45.2	53.5	63.9		
			RCY 2390 xx	15.9	18.8	22.5	31.8	39.0	50.3	59.6	71.2		
180°	•		RCZ 1780 xx		4.50	6.37	7.80	10.1	11.9	14.2	33	17	
			RCZ 2117 xx	5.70	6.81	9.63	11.8	15.2	18.0	21.5			
			RCZ 2157 xx	7.58	9.06	12.8	15.7	20.3	24.0	28.7			
			RCZ 2196 xx	9.42	11.3	15.9	19.5	25.2	29.8	35.6			
	•	•	RCZ 2230 xx	9.39	11.1	13.3	18.8	23.0	29.7	35.1	42.0	44	22
			RCZ 2270 xx	11.0	13.0	15.6	22.0	27.0	34.9	41.2	49.3		
			RCZ 2310 xx	12.7	15.0	17.9	25.3	31.0	40.0	47.4	56.6		
			RCZ 2350 xx	14.3	16.9	20.2	28.6	35.0	45.2	53.5	63.9		
			RCZ 2390 xx	15.9	18.8	22.5	31.8	39.0	50.3	59.6	71.2		

Common applications

RC series hollow cone nozzles are used mainly for air washing, dust suppression and cooling processes.

The accessories shown below can be used for their protection against clogging, or for an appropriate assembly.

Please see our accessories Catalogue CTG AC.

Assembly fittings



VEM



ZRP



ZPM