

SPRAYING & FOGGING NOZZLES

Tefen spray and fogging nozzles are specially designed for various applications. They are ideal for adding humidity and cooling for different livestock applications, supermarkets vegetable refrigerators and industrial refrigerators,

- Fan Nozzles: Giving straight wetting pattern.
- Connection: Flange configuration.
- The Conical spray nozzles give a round hollow wetting pattern and fine spray.
- Connection: Flange configuration.
- Conical spray nozzle with 1/8" NPT male thread: give a round hollow wetting pattern and fine spray. Uniquely designed for straight threading into rigid PVC pressure lines.
- Non Drop conical spray nozzles with 1/8" NPT male thread and a non- drop valve. When pressure will drop below 0.3 bars, the nozzle will close itself.
- Conical spray nozzle with safety - finger filter: the filter will give extra final protection for the nozzles against particles escaped from the main filter.
- Adjustable nozzle: design for domestic use, assembled with Tefen spray wand.
- Nozzle filter: designed to be assembled with Tefen nozzle holders. Filter screen= 100 mesh/ /149 micron.
- Non Drop nozzle filter: designed to be assembled with Tefen nozzle holder, when non drop function requires. Filter screen= 100 mesh
- Misting unit: Designed with 2 adjustable arms, to hold 2 flange nozzles
- Was Specially designed for vitrine fruit & vegetables supermarket refrigerators.
- 1/8" female short finger filter: Designed for small hydraulic loops on agriculture and industrial application. Filter screen=100 mesh
- 1/4" long finger filter: Specially designed for an integral filtration of hydraulic control valves. Filter screen= 100 mesh



Spraying and Fogging Nozzles

Acetal



Fan Spray Nozzle

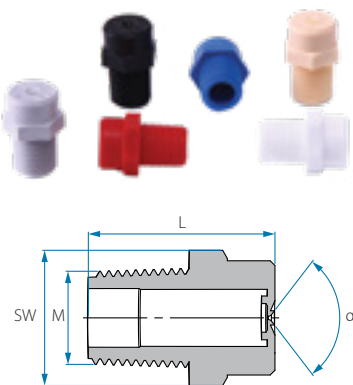
product code	Marking	α Angle	L mm	D	Lit per Min Bar 2	Lit per Min Bar 3	Lit per Min Bar 4	Lit per Min Bar 6	Lit per Min Bar 8	Lit per Min Bar 10	Colour
12210110057	110 005	110 °	12.2	14.8	0.296	0.362	0.417	0.513	0.585	0.658	Green
12210110209	110 02	110 °	12.2	14.8	1.20	1.45	1.70	2.00	2.267	2.533	Yellow
12210110255	110 025	110 °	12.2	14.8	0.623	0.780	0.899	1.106	1.267	1.428	Creme
12210110308	110 03	110 °	12.2	14.8	1.167	1.432	1.649	2.039	2.330	2.620	Blue
12210110406	110 04	110 °	12.2	14.8	1.434	1.760	2.032	2.501	2.857	3.212	Red
12210110503	110 05	110 °	12.2	14.8	1.627	2.027	2.350	2.893	3.315	3.737	Brown
12210165051	65 005	65 °	12.2	14.8	0.38	0.47	0.53	0.66	0.753	0.847	White
12210165052	65 005	65 °	12.2	14.8	0.38	0.47	0.53	0.66	0.753	0.847	Black

Conical Spray Nozzle



product code	Marking	α Angle	L mm	SW	Lit per Min Bar 2	Lit per Min Bar 3	Lit per Min Bar 4	Lit per Min Bar 6	Lit per Min Bar 8	Lit per Min Bar 10	Colour
22210011055	1 105	105 °	11.5	14.5	0.058	0.068	0.078	0.098	0.111	0.125	Creme
22210011057	1 105	105 °	11.5	14.5	0.058	0.068	0.078	0.098	0.111	0.125	Green
22210016502	1 65	65 °	11.5	14.5	0.061	0.074	0.084	0.098	0.110	0.123	Black
22210018001	1 80	80 °	11.5	14.5	0.063	0.078	0.092	0.117	0.135	0.153	White
22210018002	1 80	80 °	11.5	14.5	0.063	0.078	0.092	0.117	0.135	0.153	Black
22210018011	1 80F	80 °	11.5	14.5	0.035	0.042	0.049	0.059	0.067	0.075	Off White
22210018012	1 80F	80 °	11.5	14.5	0.035	0.042	0.049	0.059	0.067	0.075	Black
22210028006	3 80	80 °	11.5	14.5	0.350	0.430	0.520	0.630	0.723	0.817	Red

Conical Spray Nozzle 1/8" NPT



product code	Marking	α Angle	Thread Size	L mm	D	Lit per Min Bar 2	Lit per Min Bar 3	Lit per Min Bar 4	Lit per Min Bar 6	Lit per Min Bar 8	Lit per Min Bar 10	Colour
22210211055	21 105	105 °	1/8"	20.5	12.5	0.063	0.075	0.086	0.108	0.123	0.138	Creme
22210218008	21 80	80 °	1/8"	20	12.5	0.060	0.070	0.080	0.093	0.104	0.115	Blue
22210078001	07 80	80 °	1/8"	20.3	12.5	0.043	0.053	0.060	0.069	0.078	0.086	White
22210078002	07 80	80 °	1/8"	20.3	12.5	0.043	0.053	0.060	0.069	0.078	0.086	Black
22210078003	07 80	80 °	1/8"	20.3	12.5	0.043	0.053	0.060	0.069	0.078	0.086	Grey
22210221202	22 120	120 °	1/8"	20.4	12.5	0.108	0.132	0.152	0.190	0.217	0.245	Black
22210078006	07 80F	80 °	1/8"	19.8	12.5	0.038	0.047	0.054	0.064	0.073	0.081	Red
22210078011	07 80F	80 °	1/8"	19.8	12.5	0.038	0.047	0.054	0.064	0.073	0.081	White
22210078012	07 80F	80 °	1/8"	19.8	12.5	0.038	0.047	0.054	0.064	0.073	0.081	Black
22212201458	220 145	145 °	1/8"	20.0	12.5	0.171	0.207	0.240	0.280	0.327	0.368	Blue

Non Drop Nozzle 1/8" NPT



product code	Marking	Thread Size	α Angle	L mm	Lit per Min Bar 3	Lit per Min Bar 4	Lit per Min Bar 6	Lit per Min Bar 8	Lit per Min Bar 10	Colour
22211211055	21 105	1/8"	105 °	20.5	0.072	0.084	0.106	0.123	0.140	Creme
22211211052	21 105	1/8"	105 °	20.5	0.072	0.084	0.106	0.123	0.140	Black
22211218008	21 80	1/8"	80 °	20	0.06	0.074	0.092	0.108	0.124	Blue
22211078001	07 80	1/8"	80 °	20.3	0.046	0.053	0.069	0.081	0.092	White
22211078002	07 80	1/8"	80 °	20.3	0.046	0.053	0.069	0.081	0.092	Black
22211078003	07 80	1/8"	80 °	20.3	0.046	0.053	0.069	0.081	0.092	Grey
22211221202	22 120	1/8"	120 °	20.4	0.120	0.142	0.182	0.213	0.244	Black
22211078006	07 80F	1/8"	80 °	19.8	0.040	0.048	0.062	0.073	0.084	Red
22211078011	07 80F	1/8"	80 °	19.8	0.040	0.048	0.062	0.073	0.084	White
22211078012	07 80F	1/8"	80 °	19.8	0.040	0.048	0.062	0.073	0.084	Black
22212211458	220 145	1/8"	145 °	20.0	0.168	0.205	0.257	0.313	0.360	Blue



Conical Spray Nozzle 1/8" NPT with Filter

product code	Marking	Thread Size	α Angle	L mm	Lit per Min Bar 2	Lit per Min Bar 3	Lit per Min Bar 4	Lit per Min Bar 6	Lit per Min Bar 8	Lit per Min Bar 10	Colour
22219211055	21 105	1/8"	105 °	15	0.060	0.070	0.080	0.093	0.104	0.115	Creme
22219218008	21 80	1/8"	80 °	15	0.060	0.070	0.080	0.093	0.104	0.115	Blue
22219078001	07 80	1/8"	80 °	15	0.041	0.05	0.057	0.066	0.074	0.083	White
22219078002	07 80	1/8"	80 °	15	0.041	0.05	0.057	0.066	0.074	0.083	Black
22219078003	07 80	1/8"	80 °	15	0.043	0.053	0.060	0.069	0.078	0.086	Grey
22219221202	22 120	1/8"	120 °	15	0.103	0.124	0.149	0.171	0.194	0.216	Black
22219078006	07 80F	1/8"	80 °	15	0.040	0.046	0.053	0.061	0.068	0.075	Red
22219078012	07 80F	1/8"	80 °	15	0.040	0.046	0.053	0.061	0.068	0.075	Black

Spraying and Fogging Nozzles

Acetal

High Flow Nozzle

product code	Marking	α Angle	Thread Size	Lit per Min Bar 2	Lit per Min Bar 3	Lit per Min Bar 4	Lit per Min Bar 6	Colour
22210311055	31 105	105 °	1/8"	0.084	0.096	0.118	0.120	Creme
*22219311055	31 105	105 °	1/8"	0.080	0.090	0.102	0.110	

* With filter



Accessories for Nozzles

product code	Product
38000000054	PVC Protector Cap for Nozzle
37212793200	Cap Strainer 200 mesh

The PVC Cap protects the delicate upper nozzle crown from external mechanical damage.



Adjustable Nozzle

group id	product code	Name	Colour
201	22214200001	Adjustable Nozzle	<input type="radio"/> White



Nozzle Filter

product code	Mesh	Colour	L mm	Colour
22212791100	100		21.1	<input type="radio"/> White
*22212791000	100	Red	21.1	

* non drop



Push-in Fitting Adaptor for 1/8" Nozzle

product code	Stem D	Inner Thread	Colour
22211502061	3/8"	1/8" NPT	<input type="radio"/> White
22211502062	3/8"	1/8" NPT	<input checked="" type="radio"/> Black



Misting Unit Mark 1

product code	R1	R2	SW1	SW2	SW3	Colour
222729T0101	1/16" NC	1/4" NPT	17.5	16	17.5 mm	<input type="radio"/> White
222729T0102	1/16" NC	1/4" NPT	17.5	16	17.5 mm	<input checked="" type="radio"/> Black



Valve Release / Drain Valve

product code	Thread BSPT	Colour
22273008002	1/2"	<input checked="" type="radio"/> Black
22273108002	1/2"	

Valve release: Valve installed vertically upwards on the highest point. Functions as Anti-Vacuum (syphon) valve (CAT. No. 22273008002).
Drain Valve with stainless spring. Valve installed at pipe end. For automatic drainage of condensed water in compressed-air lines, after shut-off of compressedair supply. (CAT. No. 22273108002)

Spraying and Fogging Nozzles

POLYPROPYLENE



Finger Filter

product code	Tube ID	Length	SW	Mesh	Colour
22212002028	1/8" BSPT	30.3	14	100	Blue Short
22212791028	1/8" BSPT	43.8	14	100	Blue Long

product code	Tube ID	Tube OD	Length	SW	Mesh	Colour
**22212791002	1/8" NPT	1/4" NPT	48.3	14	100	Black

** special design for control valves



NUT 11/16" FOR NOZZLE

product code	Type
32272900082	11/16" NC



1/4" FEMALE STRAIGHT NOZZLE HOLDER

product code	R1	R2
32210300042	1/16" NC	1/4" NPT



1/4" MALE STRAIGHT NOZZLE HOLDER

product code	R1	R2
32212200042	1/16" NC	1/4" NPT



1/4" FEMALE 135° NOZZLE HOLDER CAT. NO.

product code	R1	R2
32210000040	1/16" NC	1/4" NPT